



### Key Features

- High quality and modern style complements other [Elvari™ products](#)
- Unique indicator to alert maintenance staff
- Advanced weld construction

### Operation

Top cover opens for end user to dispose of sanitary product waste. Red indicator allows custodial staff to quickly see if unit has been used. Bottom door pull knob opens for sanitary removal of used liners. Utilizes standard paper or plastic liners. Integrated liner clips hold liner in place.

### Guide Specification

Surface-mounted napkin/tampon disposal unit. Capacity 1.5 gal (0.2 cu. ft.). Equipped with hinged cover; accepts owner's disposable liners. Formed from 20-gauge, 300 series stainless steel in a brushed #3 satin finish.

#### Overall Dimensions:

11-1/16" H x 10-3/4" W x 4" D (281mm x 273mm x 102mm)

**MasterFormat Title:** Commercial Toilet Accessories

**MasterFormat Number:** 10 28 13.13

**OmniClass Title:** Toilet and Bath Specialties

**OmniClass Code:** 23.31.25.00

### Product Compliance

#### Complies with

- The Americans with Disabilities Act (ADA)
- ANSI/ICC A117.1 - Accessible and Usable Buildings & Facilities



Consult local and national accessibility codes for proper installation guidelines. Conformity and compliance with local and national codes is the responsibility of the installer.

### Finishes

Click on any color swatch to view as a larger image.

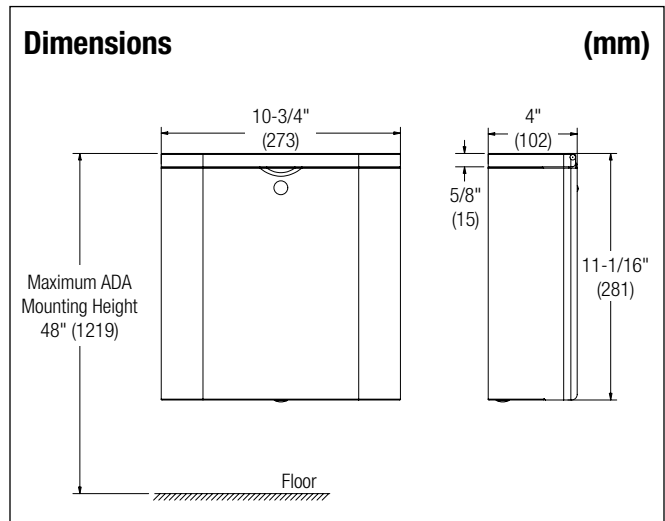


Satin Stainless



<b>Model</b> (Must select one)	
<b>4B2</b>	Elvari Napkin Disposal
<b>Standard Selections</b> (Must select one from each category)	
<b>Mounting Type</b> (select one)	
<b>11</b>	Surface Mounted <sup>1</sup>

<sup>1</sup> Model available with **BradEX**® expedited shipping.



**For information on Warranties, Maintenance and BAA/ARRA Compliance, visit our website at: [bradleycorp.com/washroom-accessories-products](http://bradleycorp.com/washroom-accessories-products)**

Orders composed of products indicated as **BradEX**® will be available to ship in three days after receipt of order at the factory. There is no pricing penalty for this service from Bradley.

Verify all rough-in dimensions prior to installation.