



3B1-11 Series Elvari™ Surface-Mounted Waste Receptacle

Key Features

- High quality and modern style complements other [Elvari™ products](#)
- Advanced weld construction
- Pill-shape design
- Bag retention ring included
- Removable or fixed mounting options

Capacity

Small Capacity: 10 gallon

Medium Capacity: 14 gallon

Large Capacity: 18 gallon

Guide Specification

Surface-mounted waste receptacle. High quality and style. 20-gauge, 300 series stainless steel in a brushed #3 satin finish. Welded, pill-shape construction. Bag retention ring holds liners in place and can serve as a handle.

Overall Dimensions – Small Capacity:

13-5/16" H x 17" W x 12-3/4" D (338mm x 432mm x 324mm)

Overall Dimensions – Medium Capacity:

18-13/16" H x 17" W x 12-3/4" D (478mm x 432mm x 324mm)

Overall Dimensions – Large Capacity:

23-5/16" H x 17" W x 12-3/4" D (592mm x 432mm x 324mm)

MasterFormat Title: Commercial Toilet Accessories

MasterFormat Number: 10 28 13.13

OmniClass Title: Toilet and Bath Specialties

OmniClass Code: 23.31.25.00

Product Compliance

Complies with

- The Americans with Disabilities Act (ADA)
- ANSI/ICC A117.1 - Accessible and Usable Buildings & Facilities



- Consult local and national accessibility codes for proper installation guidelines. Conformity and compliance with local and national codes is the responsibility of the installer.



Finishes

- Click on any color swatch to view as a larger image.



Satin Stainless

Model (Must select one)

3B1 Elvari Waste Receptacle

Standard Selections (Must select one from each category)

Mounting Type (select one)

11 Surface Mounted

Capacity Type (select one)

34 Small ¹

0 Medium ¹

36 Large ¹

¹ Model available with **BradEX**® expedited shipping.

Orders composed of products indicated as **BradEX**® will be available to ship in three days after receipt of order at the factory. There is no pricing penalty for this service from Bradley.

Verify all rough-in dimensions prior to installation.

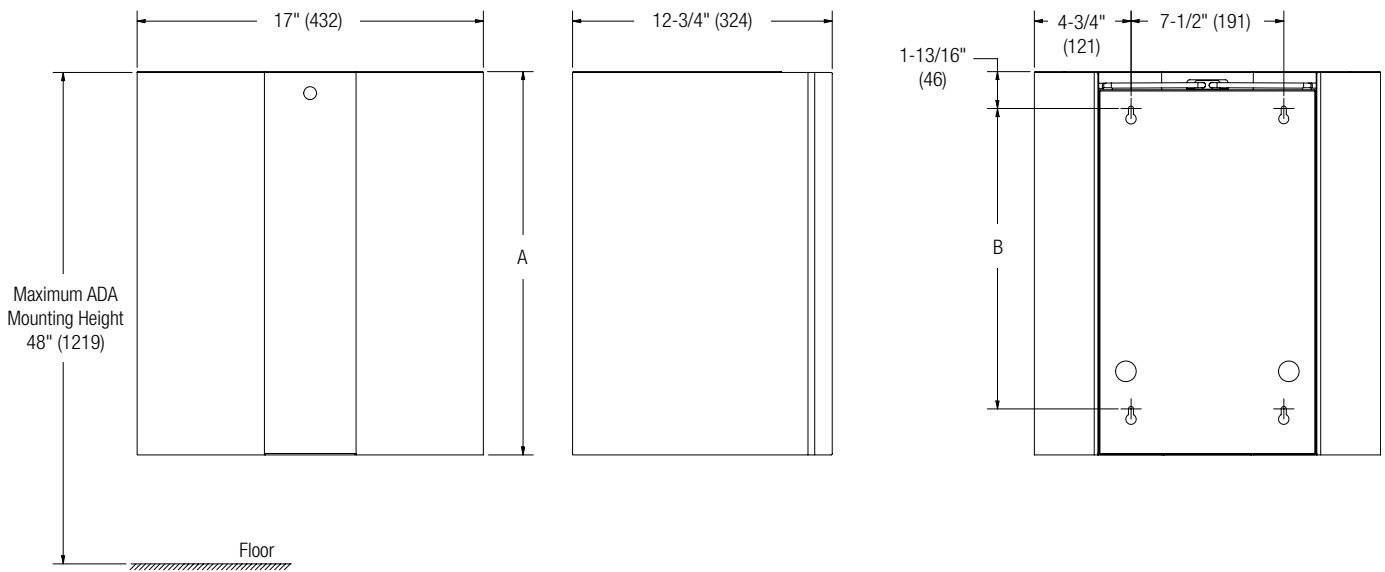
For information on Warranties, Maintenance and BAA/ARRA Compliance, visit our website at: bradleycorp.com/washroom-accessories-products



3B1-11 Series Elvari™ Surface-Mounted Waste Receptacle

Dimensions

(mm)



Waste Receptacle Capacity Size	Dim "A" (mm)	Dim "B" (mm)
Small	13-5/16" (338)	9-1/4" (235)
Medium	18-13/16" (478)	14-3/4" (375)
Large	23-5/16" (592)	19-1/4" (489)

Orders composed of products indicated as **BradEX**® will be available to ship in three days after receipt of order at the factory. There is no pricing penalty for this service from Bradley.

Verify all rough-in dimensions prior to installation.