



# 9B1 Series

## Elvari™ Coat/Robe Hook

### Key Features

- High quality and modern style complements other [Elvari™ products](#)
- Strong 14-gauge design
- 50 lb load rating
- No visible welds or mounting hardware
- Common mounting, interchangeable hardware between single and double hooks

### Guide Specification

Surface-mounted hook shall be fabricated of 14-gauge, 300 series stainless steel in a brushed #3 satin finish. Fasteners, set screws, and hex key included.

#### Overall Dimensions - Single Hook:

2-3/4" H x 1-3/16" W x 1-11/16" D (69mm x 30mm x 42mm)

#### Overall Dimensions - Double Hook:

5-3/8" H x 1-3/16" W x 1-3/4" D (136mm x 30mm x 44mm)

**MasterFormat Title:** Commercial Toilet Accessories

**MasterFormat Number:** 10 28 13.13

**OmniClass Title:** Toilet and Bath Specialties

**OmniClass Code:** 23.31.25.00

### Finishes

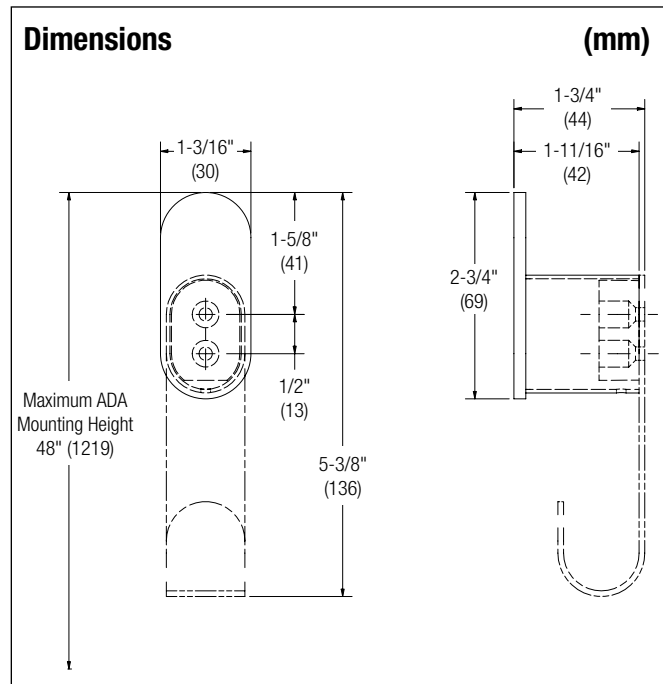
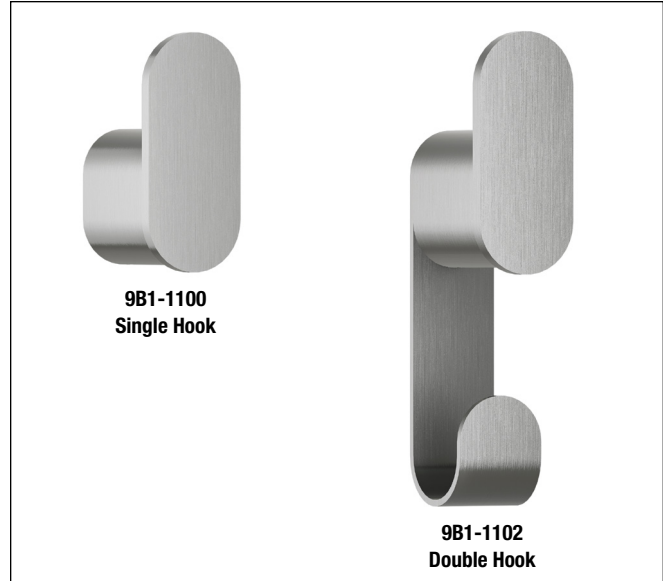
Click on any color swatch to view as a larger image.



Satin Stainless

<b>Model</b> (Must select one)	
9B1	Elvari Coat/Robe Hook
<b>Standard Selections</b> (Must select one from each category)	
<b>Mounting</b> (select one)	
11	Surface Mounted
<b>Hooks</b> (select one)	
0	Single Hook <sup>1</sup>
2	Double Hook <sup>1</sup>

<sup>1</sup> Model available with **BradEX**® expedited shipping.



For information on Warranties, Maintenance and BAA/ARRA Compliance, visit our website at: [bradleycorp.com/washroom-accessories-products](http://bradleycorp.com/washroom-accessories-products)

Orders composed of products indicated as **BradEX**® will be available to ship in three days after receipt of order at the factory. There is no pricing penalty for this service from Bradley.