



5B2 Series Elvari™ Toilet Paper Dispenser

Key Features

- High quality and modern style compliments other [Elvari™ products](#)
- Concealed BradLock™ magnetic locking system
- Advanced weld construction
- Unique retaining mechanism for spare roll

Operation

Cabinet holds two rolls up to 4-1/2" W x 5-1/4" diameter standard core toilet paper, one above the other. When first roll is spent, fresh roll automatically drops down for use. Unique retaining mechanism prevents use of spare roll until first roll is completely spent. Spindles non-removable by user. Hinged door permits access to storage compartment for servicing the unit. BradLock system and magnetic key provide security, a seamless design, and easy access for service. Magnetic lock location is hidden from view behind the Bradley logo.

Guide Specification

Surface-mounted or recessed toilet paper dispenser. Single roll up to 5-1/4" diameter in standard roll dispenser with drop-down, roll-in-reserve. Rolls mounted on non-removable molded polyethylene spindles. Equipped with bottom-hinged service door with magnetic lock and key provided. 20-gauge, 300 series stainless steel in brushed #3 satin finish on exposed surfaces.

Overall Dimensions – Surface-Mounted:

5-11/16" W x 10-1/2" H x 5-9/16" D (144mm x 266mm x 142mm)

Overall Dimensions – Recessed-Mounted:

7-5/8" W x 12-1/2" H x 5-9/16" D (193mm x 318mm x 142mm)

MasterFormat Title: Commercial Toilet Accessories

MasterFormat Number: 10 28 13.13

OmniClass Title: Toilet and Bath Specialties

OmniClass Code: 23.31.25.00

Product Compliance

Complies with

- The Americans with Disabilities Act (ADA)
- ANSI/ICC A117.1 - Accessible and Usable Buildings & Facilities



- Consult local and national accessibility codes for proper installation guidelines. Conformity and compliance with local and national codes is the responsibility of the installer.

Orders composed of products indicated as **BradEX**® will be available to ship in three days after receipt of order at the factory. There is no pricing penalty for this service from Bradley.

Verify all rough-in dimensions prior to installation.



Finishes

- Click on any color swatch to view as a larger image.



Satin Stainless

Model (Must select one)

5B2 Elvari Toilet Paper Dispenser

Standard Selections (Must select one from each category)

Mounting (select one)

0 Recessed ¹

11 Surface Mounted ¹

¹ Model available with **BradEX**® expedited shipping.

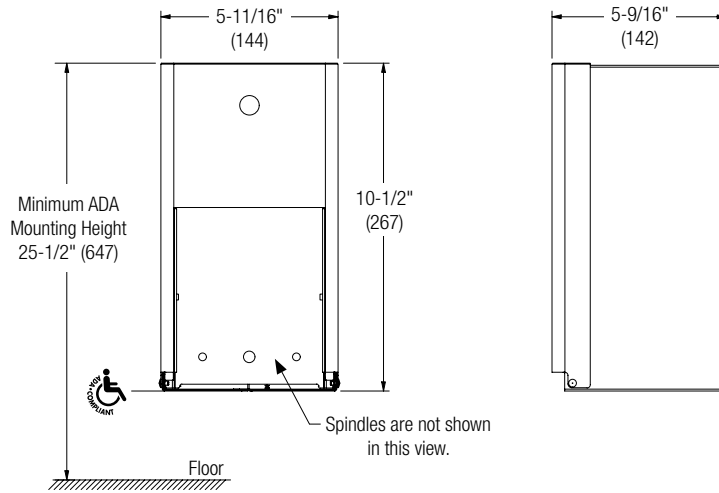
For information on Warranties, Maintenance and BAA/ARRA Compliance, visit our website at: bradleycorp.com/washroom-accessories-products



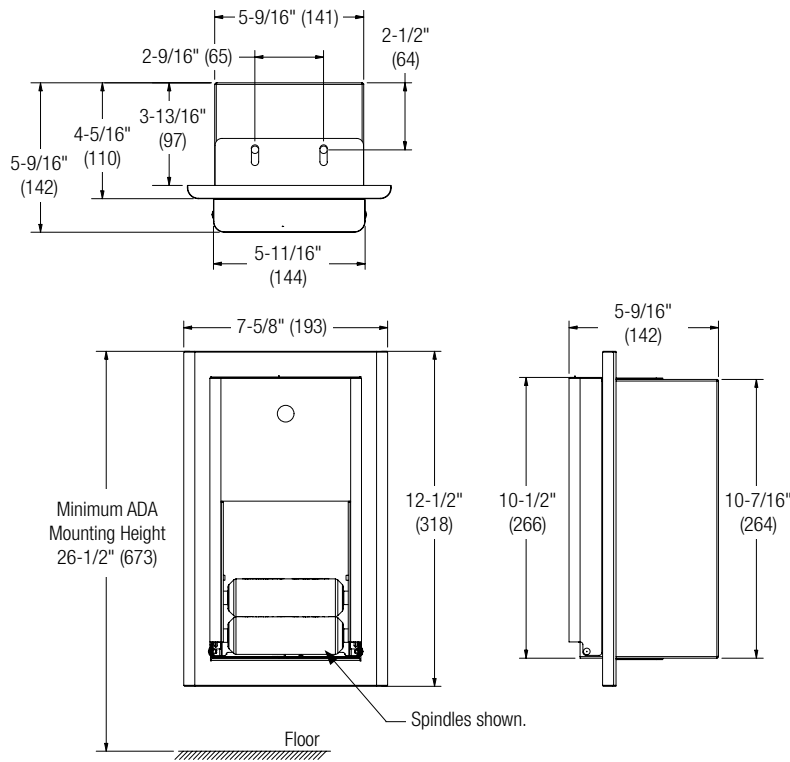
5B2 Series Elvari™ Toilet Paper Dispenser

Dimensions – Surface Mounted

(mm)



Dimensions – Recessed



Orders composed of products indicated as **BradEX**® will be available to ship in three days after receipt of order at the factory. There is no pricing penalty for this service from Bradley.

Verify all rough-in dimensions prior to installation.