



3B1-00 & 3B1-10 Series

Elvari™ Recessed & Semi-Recessed Waste Receptacles

Key Features

- High quality and modern style complements other [Elvari™ products](#)
- Advanced weld construction
- D-shape design
- Bag retention ring included
- Removeable waste receptacle

Capacity

Small Capacity: 8 gallon

Medium Capacity: 12 gallon

Large Capacity: 18 gallon

Guide Specification

Recessed and semi-recessed waste receptacle. High quality and style. 20-gauge, 300 series stainless steel in a brushed #3 satin finish. Welded, D-shape construction. Bag retention ring holds liners in place and can serve as a handle.

Overall Dimensions – Small Capacity:

26-9/16" H x 16-9/16" W x 8-11/16" D (675mm x 420mm x 220mm)

Overall Dimensions – Medium Capacity:

35-9/16" H x 16-9/16" W x 8-11/16" D (904mm x 420mm x 220mm)

Overall Dimensions – Large Capacity:

35-9/16" H x 16-9/16" W x 12-11/16" D (904mm x 420mm x 321mm)

MasterFormat Title: Commercial Toilet Accessories

MasterFormat Number: 10 28 13.13

OmniClass Title: Toilet and Bath Specialties

OmniClass Code: 23.31.25.00

Product Compliance

Complies with

- The Americans with Disabilities Act (ADA)
- ANSI/ICC A117.1 - Accessible and Usable Buildings & Facilities



- Consult local and national accessibility codes for proper installation guidelines. Conformity and compliance with local and national codes is the responsibility of the installer.*



Finishes

- Click on any color swatch to view as a larger image.*



Model (Must select one)	
3B1	Elvari Waste Receptacle
Standard Selections (Must select one from each category)	
Mounting Type (select one)	
0	Recessed
10	Semi-Recessed ¹
Capacity Type (select one)	
34	Small
0	Medium ¹
36	Large

¹ Only Mounting Type 10 (Semi-Recessed) in combination with Capacity Type 0 (Medium) is available with **BradEX**® expedited shipping.

Orders composed of products indicated as **BradEX**® will be available to ship in three days after receipt of order at the factory. There is no pricing penalty for this service from Bradley.

Verify all rough-in dimensions prior to installation.

For information on Warranties, Maintenance and BAA/ARRA Compliance, visit our website at: bradleycorp.com/washroom-accessories-products

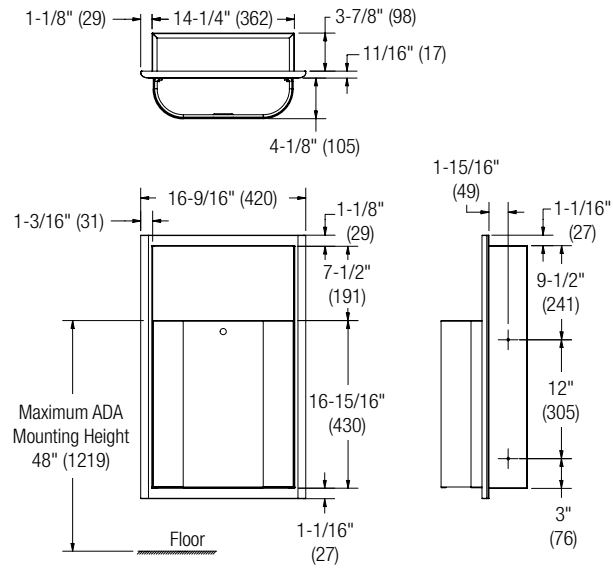


3B1-00 & 3B1-10 Series Elvari™ Recessed & Semi-Recessed Waste Receptacles

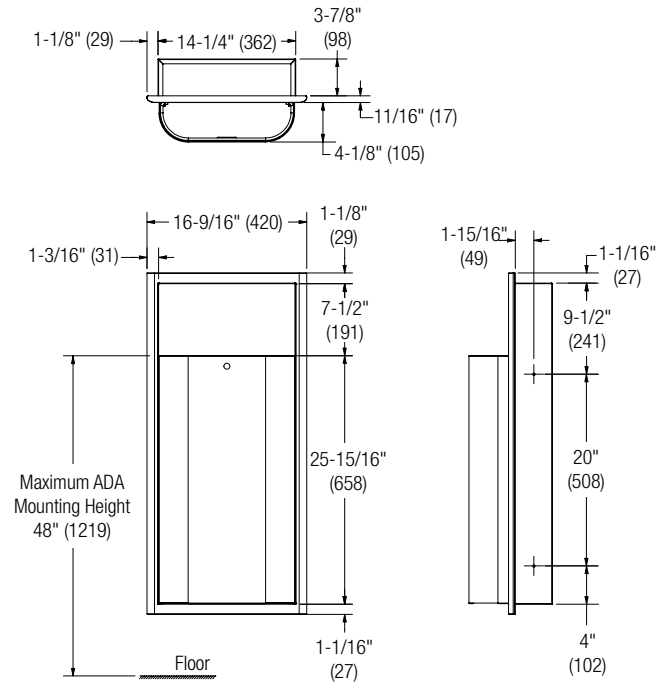
Dimensions – Recessed

(mm)

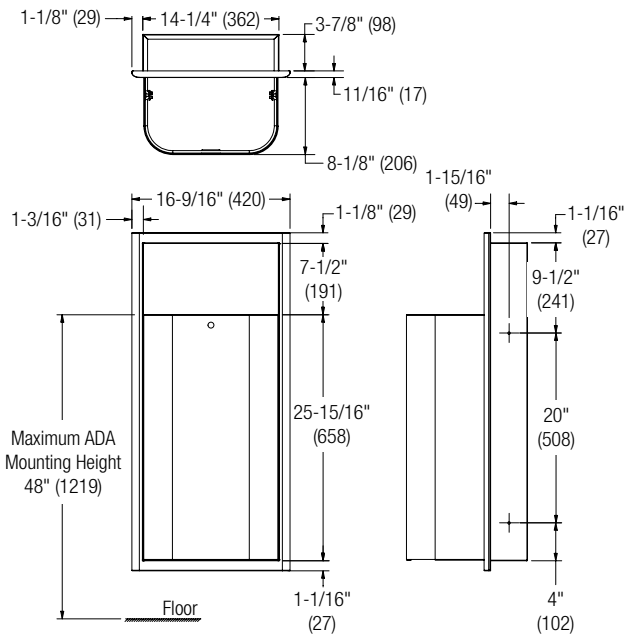
Small Capacity



Medium Capacity



Large Capacity



Orders composed of products indicated as **BradEX**® will be available to ship in three days after receipt of order at the factory. There is no pricing penalty for this service from Bradley.

Verify all rough-in dimensions prior to installation.

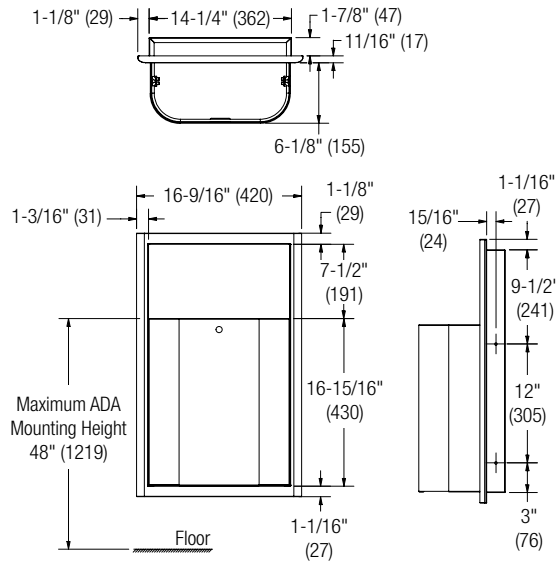


3B1-00 & 3B1-10 Series Elvari™ Recessed & Semi-Recessed Waste Receptacles

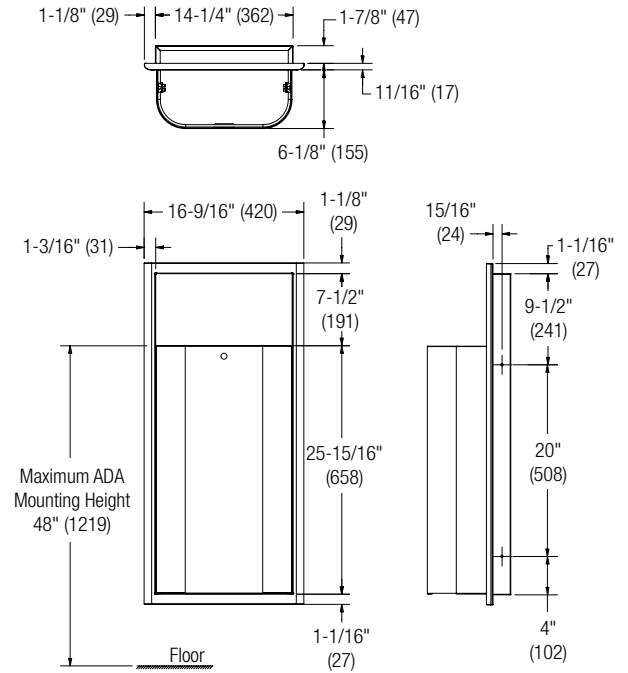
Dimensions – Semi-Recessed

(mm)

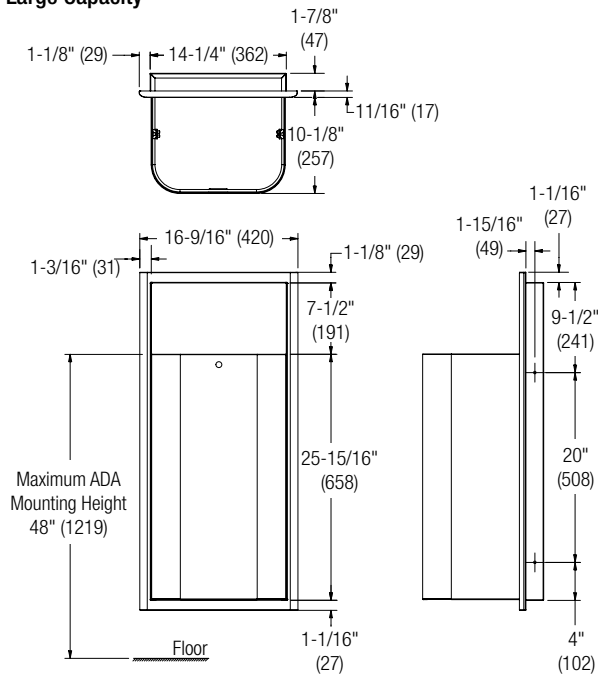
Small Capacity



Medium Capacity



Large Capacity



Orders composed of products indicated as **BradEX**® will be available to ship in three days after receipt of order at the factory. There is no pricing penalty for this service from Bradley.

Verify all rough-in dimensions prior to installation.