



7B1 Series Elvari™ Frame & Frameless Mirrors

Key Features

- High quality glass and modern style complements other [Elvari™ products](#)
- Seamless welded stainless steel frame
- Radiused corners for a softer design
- Concealed, tamper-resistant mounting bracket
- Optional stainless steel shelf that easily mounts to or detaches from mirror mounting bracket

Guide Specification

Frame and frameless mirrors shall be high quality 1/4" flat glass, guaranteed for 15 years against silver spoilage. Radiused corners and edges ground and polished smooth. Vertical mounting only. Frame mirrors feature 20-gauge stainless steel frame in brushed #3 satin finish. Available with an optional 16-gauge, 300 series stainless steel shelf in a brushed #3 satin finish. Shelf is 5-1/2" deep, lengths vary based on mirror width. Tamper-resistant mounting. Mirror can be removed using removal tool #330-074 (order separately).

Product Compliance

Complies with

- ADA

Consult local and national accessibility codes for proper installation guidelines. Conformity and compliance to local national codes is the responsibility of the installer.

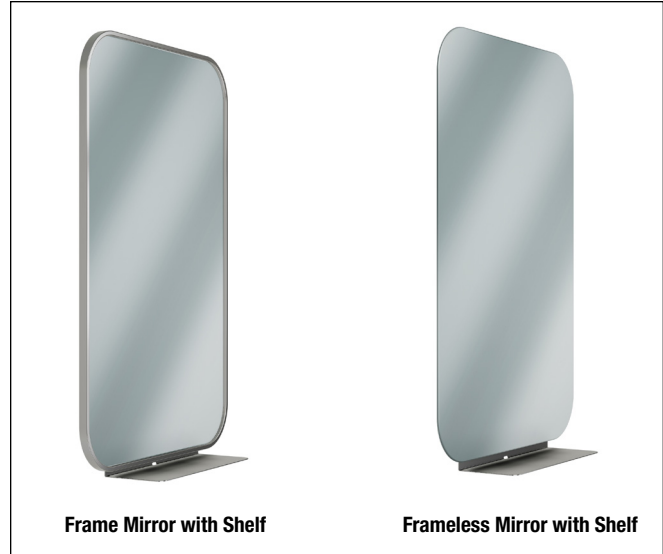
BradEX® Models

Standard Model Number	Series Type	Width (mm)	Height (mm)
7B1-0018300	Frame	18" (457)	30" (762)
7B1-0018360	Frame	18" (457)	36" (915)
7B1-0024360	Frame	24" (610)	36" (915)
7B1-2018360	Frame with Shelf	18" (457)	36" (915)
7B1-2024360	Frame with Shelf	24" (610)	36" (915)
7B1-1024360	Frameless	24" (610)	36" (915)
7B1-1030360	Frameless	30" (762)	36" (915)
7B1-3024360	Frameless with Shelf	24" (610)	36" (915)
7B1-3030360	Frameless with Shelf	30" (762)	36" (915)

For information on Warranties, Maintenance and BAA/ARRA Compliance, visit our website at: bradleycorp.com/washroom-accessories-products

Orders composed of products indicated as **BradEX®** will be available to ship in three days after receipt of order at the factory. There is no pricing penalty for this service from Bradley.

Verify all rough-in dimensions prior to installation.



Finishes

Click on any color swatch to view as a larger image.



Satin Stainless

Model (Must select one)

7B1 Elvari Mirror

Standard Selections (Must select one from each category)

Series Type (select one)

0 Frame
10 Frameless
20 Frame with Shelf
30 Frameless with Shelf

Glass Type (select one)

0 1/4" Flat Glass

Mirror Width (select one)

18	18" Wide ¹	24	24" Wide
30	30" Wide	36	36" Wide ²

Mirror Height (select one)

30 30" High ³
36 36" High
60 60" High ⁴

¹ 18" Mirror Width is only available with Series Type 0 & 20.

² 36" Mirror Width is only available with Series Type 10 and 60" Mirror Height.

³ 30" Mirror Height is only available with Series Type 10 & 30.

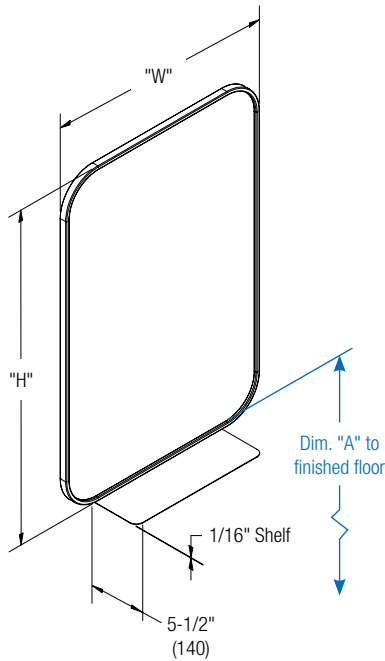
⁴ 60" Mirror Height is only available with 36" Mirror Width.



7B1 Series Elvari™ Frame & Frameless Mirrors

Dimensions – Frame

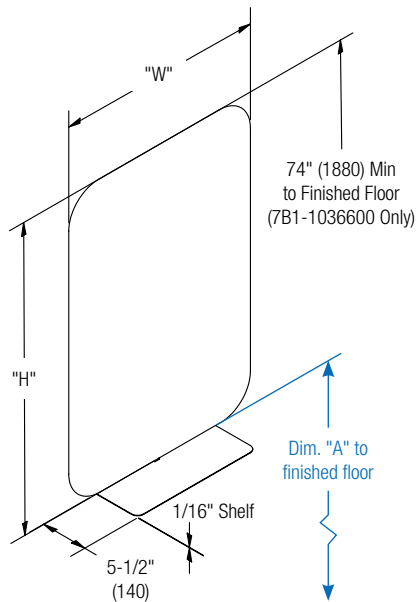
(mm)



Standard Model Number	Width "W" (mm)	Height "H" (mm)	Shelf Width (mm)
7B1-0018300	18" (457)	30" (762)	n/a
7B1-0018360	18" (457)	36" (915)	n/a
7B1-0024360	24" (610)	36" (915)	n/a
7B1-2018300	18" (457)	30" (762)	10" (254)
7B1-2018360	18" (457)	36" (915)	10" (254)
7B1-2024360	24" (610)	36" (915)	10" (254)

Dim. "A" Key Surface:	For Dim. "A" (mm)	Bottom of Unit (mm)
Mirror's bottom edge of the reflecting surface to finished floor	40" (1016)	39-5/8" (1006)
	37" (940)	36-5/8" (930)
	34" (864)	33-5/8" (854)

Dimensions – Frameless



Standard Model Number	Width "W" (mm)	Height "H" (mm)	Shelf Width (mm)
7B1-1024360	24" (610)	36" (915)	n/a
7B1-1030360	30" (762)	36" (915)	n/a
7B1-1036600	36" (915)	60" (1524)	n/a
7B1-3024360	24" (610)	36" (915)	16" (406)
7B1-3030360	30" (762)	36" (915)	22" (559)

Dim. "A" Key Surface:	For Dim. "A" (mm)	Bottom of Unit ¹ (mm)
Mirror's bottom edge of the reflecting surface to finished floor	40" (1016)	39-7/16" (1002)
	37" (940)	36-7/16" (926)
	34" (864)	33-7/16" (849)

¹ Bottom of Unit dimensions for frameless mirror without a shelf should equal information in column A.

Orders composed of products indicated as **BradEX**® will be available to ship in three days after receipt of order at the factory. There is no pricing penalty for this service from Bradley.

Verify all rough-in dimensions prior to installation.

[View Latest Version](#)